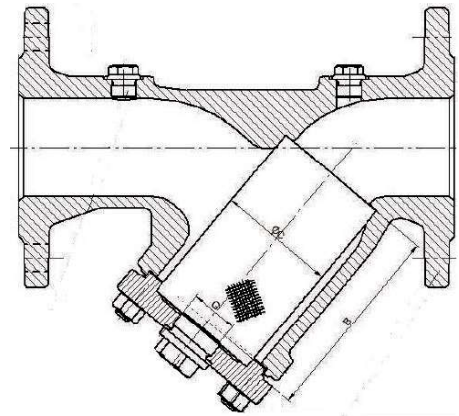


ΑΝΤΑΛΛΑΚΤΙΚΕΣ ΣΗΤΕΣ ΓΙΑ ΦΙΛΤΡΟ ΖΕΤΚΑΜΑ 821 / MESH SPARE PARTS FOR STRAINER ZETKAMA 821

ΔΙΑΣΤΑΣΗ	B	C	MESH SIZE	MESH/cm3	ΤΙΜΗ €
DN 15	56	23	1,00	45	16,00
DN 20	68	28	1,00	45	20,00
DN 25	82	36	1,00	45	26,00
DN 32	98	42	1,00	45	28,00
DN 40	114	50	1,00	45	30,00
DN 50	119	61,5	1,00	45	36,00
DN 65	134	78,5	1,25	28	40,00
DN 80	149	89,5	1,25	28	48,00
DN 100	169	109,5	1,6	15	62,00
DN 125	199	137,5	1,6	15	78,00
DN 150	224	160	1,6	15	100,00
DN 200	284	210	1,6	15	142,00



ΑΝΤΑΛΛΑΚΤΙΚΑ ΑΤΜΟΠΑΓΙΔΩΝ GESTRA / GESTRA STEAM TRAP SPARE PARTS

ΤΥΠΟΣ	ΔΙΑΣΤΑΣΗ	ΠΕΡΙΓΡΑΦΗ	ΤΙΜΗ €
BK 45	DN15 - DN25	Bimetallic regulator, body gasket	298,00
		Body gasket	10,00
		Strainer, plug and strainer gasket	72,00
MK 45-2	DN15 - DN25	Thermostatic capsule 5N2, nozzle insert and body gasket	164,00
		Thermostatic capsule 5N2	154,00
		Body gasket	10,00
UNA 14	DN15 - DN25	Control unit duplex, body gasket	316,00
UNA 16 A		Thermostatic capsule 5N2	154,00
Body gasket		14,00	
UNA 45	DN15 - DN25	Control unit duplex, body gasket	560,00
		Thermostatic capsule 5N2	154,00
		Body gasket	16,00
UNA 46A	DN40 - DN65	Control unit duplex, body gasket	920,00
		Thermostatic capsule 5N2	154,00
		Body gasket	30,00
UNA 23	DN15 - DN25	Control unit, seat ring, body gasket	560,00
		Body gasket	18,00
		(old series)	DN40 - DN50
		Body gasket	34,00
MK 35/32	DN10 - DN15	Thermostatic capsule 5N2	154,00
		Body gasket	10,00
MK 36/51	DN08 - DN20	Thermostatic capsule 5N1, strainer	180,00

