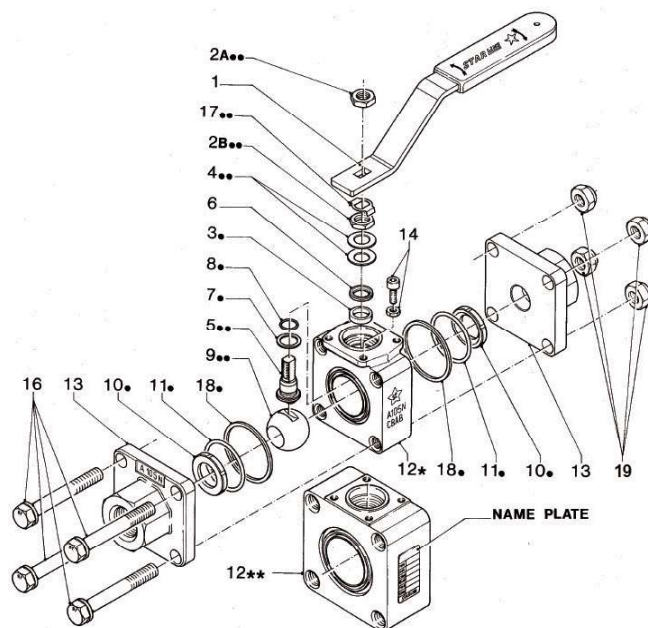


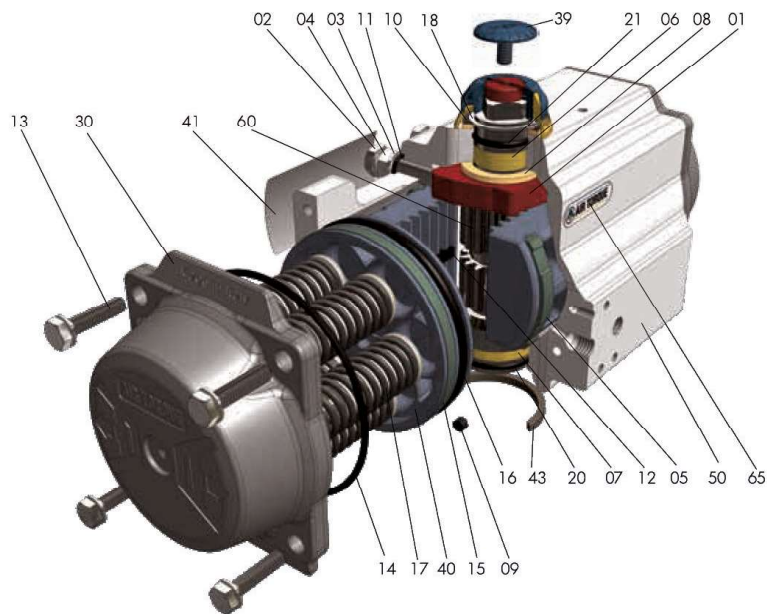
ΑΝΤΑΛΛΑΚΤΙΚΑ ΣΦΑΙΡΙΚΩΝ ΚΡΟΥΝΩΝ STARLINE / STARLINE BALL VALVE SPARE PARTS

ΔΙΑΣΤΑΣΗ	ΤΙΜΗ € ΒΙΔΩΤΟΣ MASTERSTAR	ΤΙΜΗ € ΦΛΑΝΤΖΩΤΟΣ SPLITSTAR
DN 15	70,00	70,00
DN 20	70,00	70,00
DN 25	76,00	76,00
DN 32	84,00	84,00
DN 40	98,00	98,00
DN 50	120,00	120,00
DN 65	148,00	148,00
DN 80	200,00	200,00
DN 100	360,00	360,00



ΑΝΤΑΛΛΑΚΤΙΚΑ AIRTORQUE / AIRTORQUE SPARE PARTS

ΤΥΠΟΣ	ΤΙΜΗ €
AT 50	50,00
AT 100	56,00
AT 200	80,00
AT 250	90,00
AT 300	120,00
AT 350	140,00
AT 400	150,00
AT 450	190,00
AT 500	220,00
AT 600	320,00



PART N°	SPARE PARTS	UNIT Q.TY / NOTE	PART DESCRIPTION	STANDARD MATERIAL
01		1	NA for AT045U OCTI-CAM (Stop arrangement)	Stainless Steel (only for AT051U ÷ AT301U) Carbon Steel / Nodular Cast Iron, zinc coated
02		2	NA for AT045U STOP CAP SCREW	Stainless Steel
03		2	NA for AT045U WASHER	Stainless Steel
04		2	NA for AT045U NUT (Stop screw)	Stainless Steel
05	○	2 4	BEARING (Piston back) for AT1001U	High-grade polymers
06	○	1	BEARING (Pinion top)	High-grade polymers
07	○	1	BEARING (Pinion bottom)	High-grade polymers
08	○	2	1 Pc. for AT045U THRUST BEARING (Pinion)	High-grade polymers
09	○ □	2	PLUG	M-NBR / Silicone
09.1	○ □	2	for AT801U ÷ AT1001U "O-RING" PLUG	M-NBR / Silicone
10		1	THRUST WASHER (Pinion)	Stainless Steel
11	○ □	2	NA for AT045U "O" RING (Stop screw)	M-NBR
12		2	NA for AT045U PISTON GUIDE	High-grade polymers

○ Parts included in Complete spare parts kit

□ Parts included in "O" ring spare parts kit